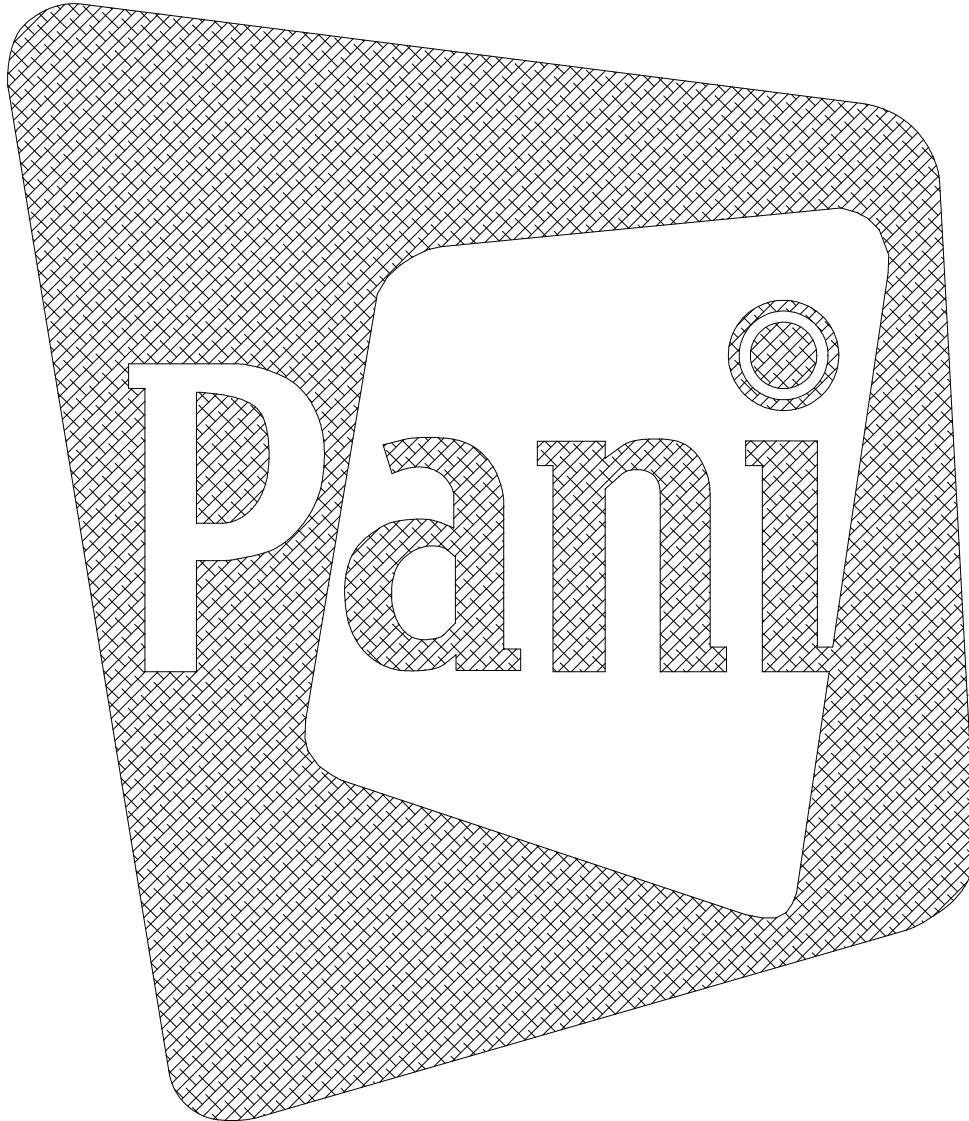


# MFX



# Rotation

# Mirror

## CONTENTS

Version of December 2003

	Page
1) <b>Dimension Drawing</b> .....	2
2) <b>Position Drawing</b> with legend.....	3
3) <b>General</b> .....	4
4) <b>Drive and Control</b> .....	4
5) <b>Control facilities</b> .....	4
5.1) Control on board .....	4
5.2) Control (DMX- 512) .....	4
6) <b>Application of the Rotation Mirror</b> .....	5
7) <b>Power Plan</b> .....	6
8) <b>Basic Kit and Unit as Delivered</b> .....	7
9) <b>Acessory</b> .....	7
10) <b>General Technical Data</b> .....	7
11) <b>Spare Parts</b> .....	8

### ***PANI Projection and Lighting Vertriebs GmbH***

**A – 1070 Wien, Kandlgasse 23**

**Austria, Europe**

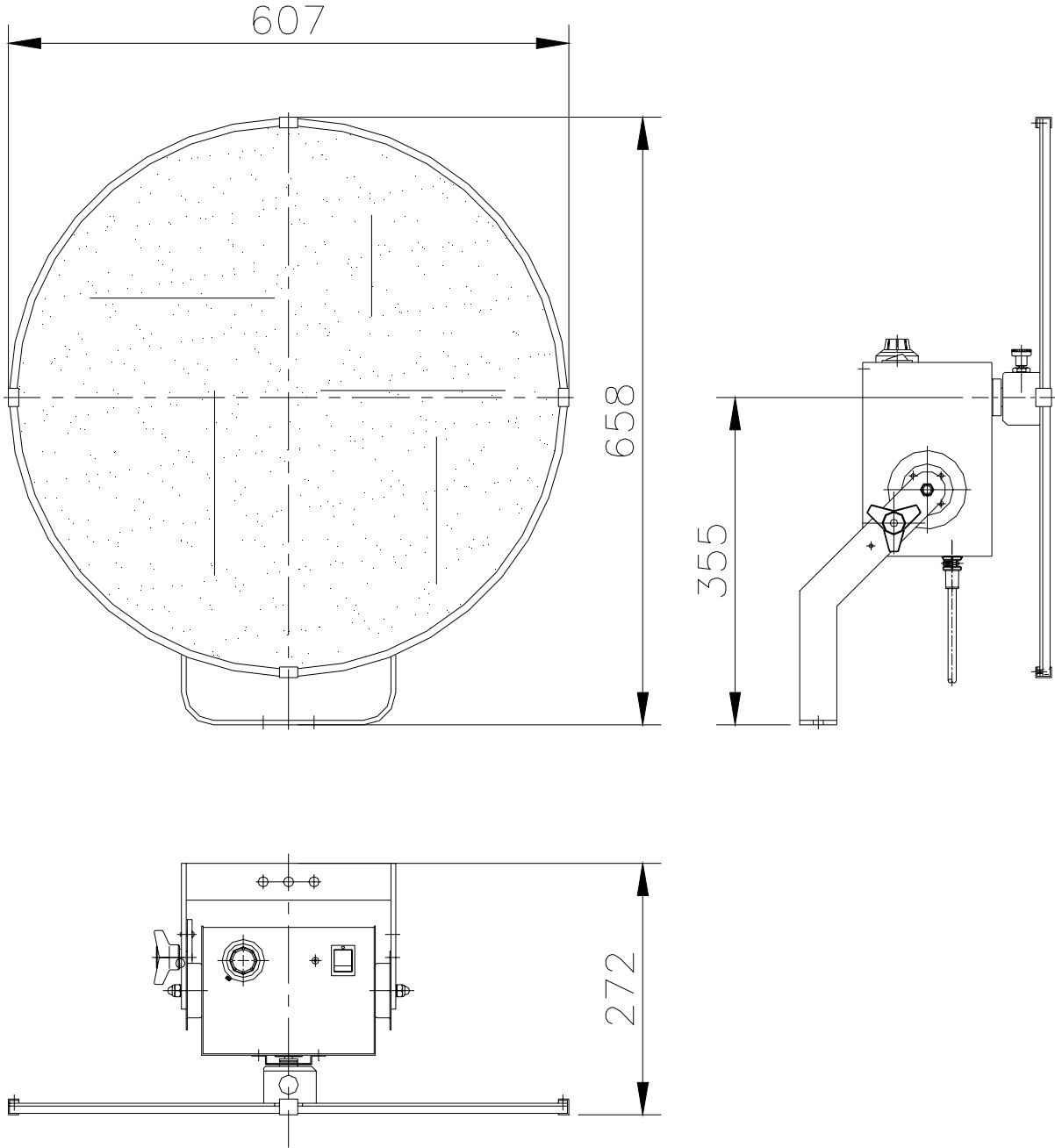
Tel.: + 43 1 / 521 08 – 0

Fax.: + 43 1 / 526 42 87

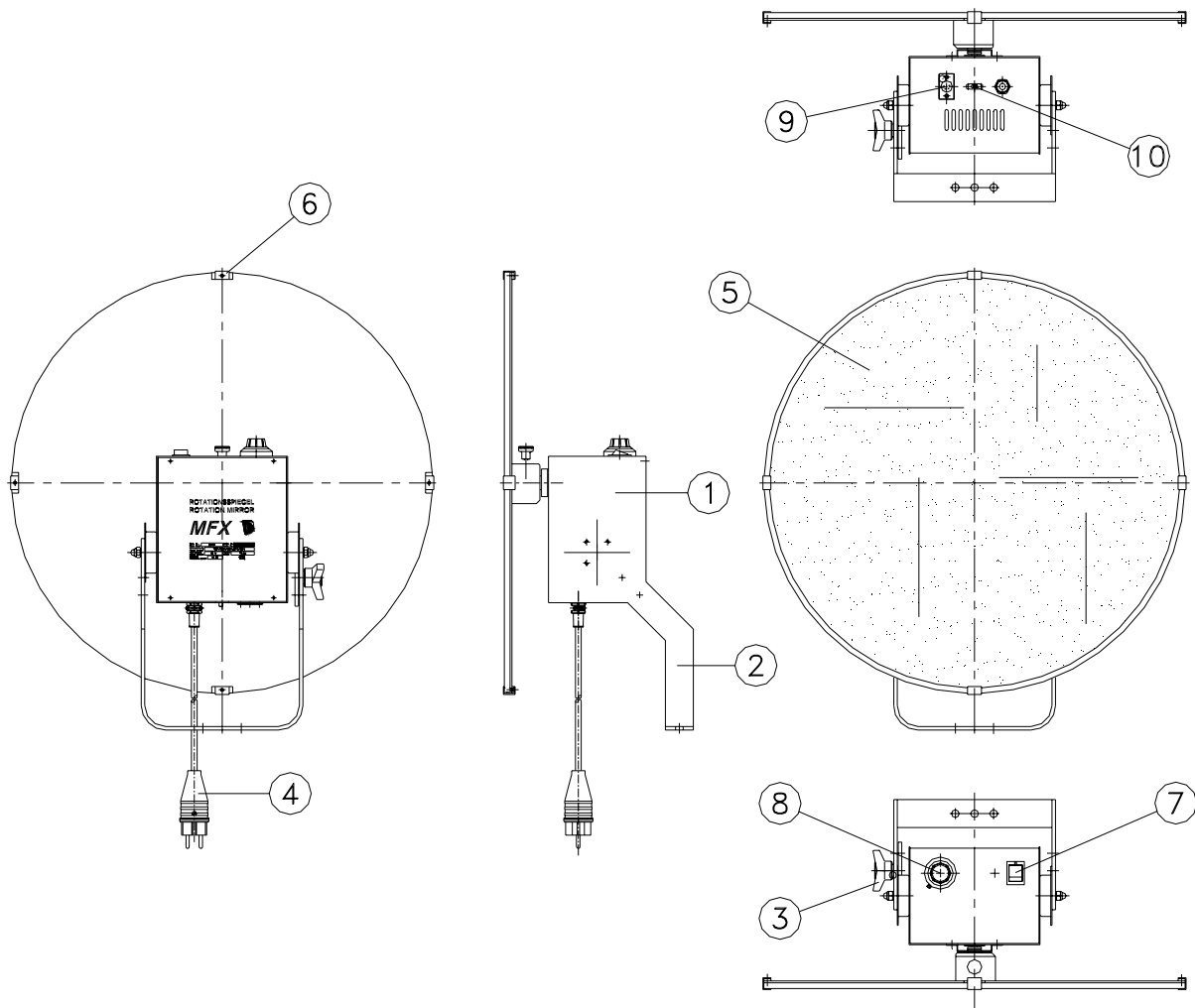
E – mail: [light@pani.com](mailto:light@pani.com)

Internet: [www.pani.com](http://www.pani.com)

# 1) Dimension Drawing



## 2) Position Drawing



## LEGEND

- 1) housing
- 2) bracket
- 3) fixing grip
- 4) mains connection
- 5) distortion mirror
- 6) mirror clamp
- 7) mains switch
- 8) 10- turn spindle potentiometer
- 9) socket XLR-4pol. for remote control
- 10) toggle switch for internal / external control

POSITION NUMBERS SEE PAGE 3

### **3) General**

This effect accessory transforms real images into warped figures by using a distortion mirror (5).

For example the so called Anti- Laser Effect is produced by projecting moving colored lines as known from laser light effects.

The rotation mirror may be used in combination with all projectors as well as spotlights.

### **4) Drive and Control**

The mechanism for the effect drive is provided by a 12 volt DC motor with a built in tachogenerator. The power section and electronic RPM generator is housed within the printed circuit card.

Fuse of Power Source: 250mA, 5x 20

Fuse of Electronic Control: 2AT, 5x 20

### **5) Control facilities**

For setting the rotation speed and direction the following two facilities are selectable:

#### **5.1) Control on board**

With the 10- turn spindle potentiometer (8) you may adjust rotation speed and direction if you have set the toggle switch (10) to position „internal“.

#### **5.2) Steuerung DMX- 512**

By using the 4-pole XLR-jack (9) you may control rotation speed and direction of the driving unit if the toggle switch (10) is in position „external“ by using a control voltage from 0 to  $\pm 10$  V .

For controlling the wave effect machine by the control standard USITT DMX 512 the optional Universal- DMX 512- Interface – Order code 15205 – and the 2- circuit- Control Cable – Order code 19318 – to the XLR jack (9) is necessary.

See details in the instruction manual of the Universal- DMX 512- Interface.

## 6) Application of the Rotation Mirror

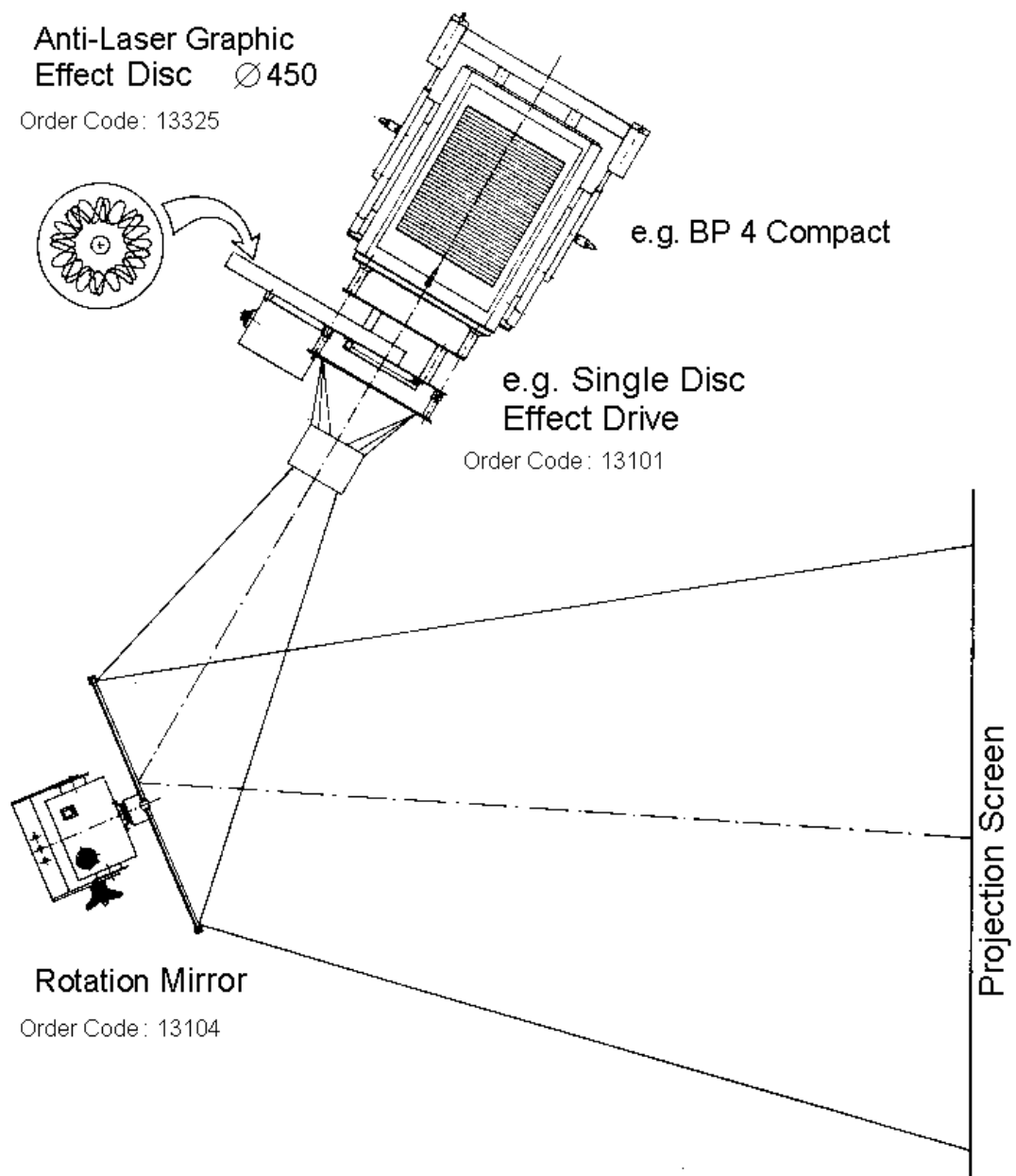
This effect is good for being used on all PANI - projectors in combination with Single or Double Effect Disc Drive and Rotation Effects Drive.

The of the effect may be varied by:

- choosing the r.p.m. of the effect disc
- choosing the r.p.m. of the rotation mirror
- selection of the projection lens (image size)

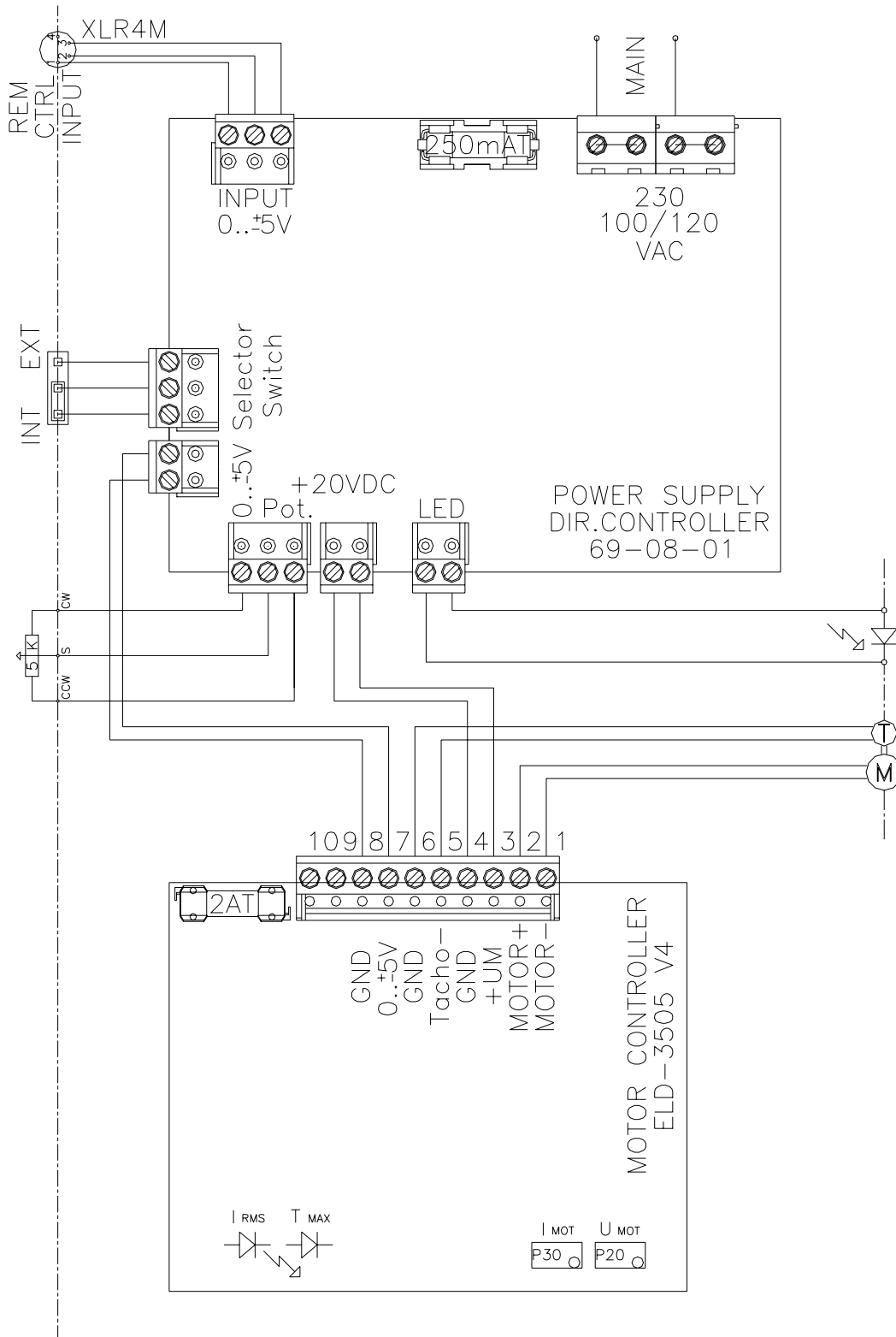
### Positioning of the devices:

see sketch:



## 8) Power Plan

Drawing Number: 69-08-03/V1.4



## 8) Basic Kit and Unit as delivered

1 Rotation Mirror

Order Code:13104

Ø 600 mm distortion mirror with adjustable motor drive 230V 50/60Hz

Used e.g. in combination with Anti- Laser Graphic Effect Disk (13325)

## 9) Accessories

Anti- Laser Graphic Effect Disc Ø 450 mm for Single or Double Disc Effect Drive

Order Code: 13325

## 10) General technical data

Rated Voltage	230 V 50/ 60 Hz
Rated Power	10 VA
Power Plug	4p - AMPH.
Weight Netto	4,5 kg
Dimensions (Bx Hx T)	658x 607x 272 mm
Number of revolutions^	0- 6 r.p.m.



## 11) Spare Parts

### Rotation Mirror

Main Number: 66- 01-

Order text	Order Code:	pieces per unit
disc holder	11-0034	1
mirror clip and mirror mounting	90-0113	4
Support Shaft	11-0213	1
hex head lock down screw M5x30 galvanized	21-0008	2
stop bolt	21-0009	1
chain wheel Z= 15	31-0002	1
chain wheel Z= 38	31-0003	1
gravity center adjustment	90-0019	1
fluted knob M8x50	21-0007	1
friction clip	11-0026	1
mirror Ø 600mm	24-0001	1
control unit for DC motors	23-0001	1
drive motor i=360:1	22-0009	1
distance bolt	11-0220	8
Beckmann potentiometer R5k	23-0004	1
potentiometer drive	23-0005	1
rocker switch red	22-0180	1
Sliding Switch	22-0177	1
XLR- jack	22-0172	1
Cable Strain Relief with Nut and Foldprotection	90-0012	1
driving chain	90-0020	1
rubber for mirror border black	31-0004	1
metal film resistor 247k 1%	22-0173	1
metal film resistor 931E 1%	22-0174	1
foil capacitor 680nF	22-0175	1

### Power Supply + Direction Identification

Main Number: 69- 08-

print complete	90-0111	1
----------------	---------	---